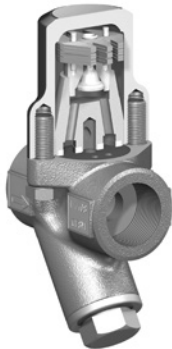
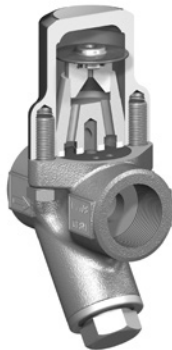


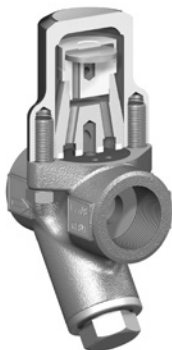
Steam trap unit attached to universal connector



BK 36 A/7, UCY 36



MK 36 A/71, UCY 36
MK 36 A/72, UCY 36



DK 36 A/7, UCY 36

Steam Trap Units for Universal Connectors

BK 36 A/7, MK 36 A/71, MK 36 A/72, DK 36 A/7 – Class 300

Universal Connectors

UCY 36, UC 36 – Class 300

Description

Steam trap manufactured in stainless steel, fitted with integral spiral wound gasket, suitable for universal connectors (SWIVEL).

The steam trap units BK 36 A/7, MK 36 A/71, MK 36 A/72 and DK 36 A/7 are available either complete with a universal connector (**UC 36** or **UCY 36**) or for fitting the trap unit into a universal connector already installed in the pipeline. The steam trap unit is secured to the universal connector by means of two hexagon head screws.

BK 36 A/7

Thermostatic bimetallic steam trap unit with corrosion resistant Duo stainless steel regulator and ability to withstand waterhammer. Robust steam trap for discharging condensate with virtually no banking-up and automatic air venting.

MK 36 A/71, MK 36 A/72

Thermostatic capsule-type steam trap unit with corrosion resistant regulating membrane, protected against waterhammer. The trap has a very sensitive response characteristic, its standard capsule discharges rapidly without banking up condensate.

MK 36 A/71 features a thermostatic capsule with tandem seat (double seat)

MK 36 A/72 features a thermostatic capsule with flat seat

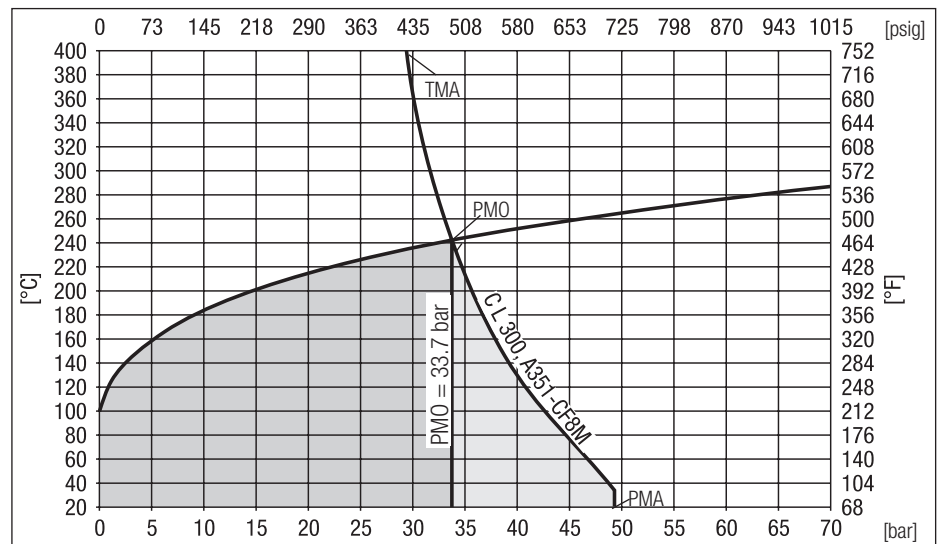
DK 36 A/7

Thermodynamic steam trap unit with corrosion resistant valve disc and ability to withstand waterhammer. Robust steam trap for discharging condensate with virtually no banking-up.

UCY 36 Universal connector with strainer

UC 36 Universal connector without strainer

Pressure/Temperature Limits



ASME B 16.5 Class 300 (PN 50) Material Group 2.2

PMA (Max. allowable pressure)	[bar]	49.6	42.2	35.7	31.6	29.4	
TMA (Max. allowable temperature)	[°C]	38	100	200	300	400	
PMA (Max. allowable pressure)	[psig]	720	613	519	460	425	
TMA (Max. allowable temperature)	[°F]	100	212	392	572	750	
Δ PMX (admissible differential pressure)	[bar]	32					
	[psig]	465					

Pressure/temperature series according to ASME B 16.5, PMO = Max. operating pressure, PMA = Max. allowable pressure, TMA = Max. allowable temperature, Δ PMX = Admissible differential pressure (ISO 6552)

Materials

Designation	EN	ASTM
Cover	1.4408 (GX5CrNiMo19-11-2)	A351-CF8M
Nozzle support	1.4404 (X2CrNiMo17-12-2)	A182-F316L
Regulator	stainless steel	
Gaskets	spiral wound gasket (graphite/CrNi)	
Universal connector UCY 36, UC 36	1.4408 (GX5CrNiMo19-11-2)	A351-CF8M
Hexagon screws (nickel-plated) 3/8-16 UNCx25 mm	1.7225 (42CrMo4)	A193 Gr. B7

Weights

BK..., MK..., DK...	[kg] / [lbs]	0.7 / 1.5		
UCY 36, UC 36		screwed sockets, socket-weld ends		
	DN [inch]	½"	¾"	1"
	[kg] / [lbs]	0.7 / 1.5	0.8 / 1.8	1.0 / 2.2

End connections

Screwed sockets: G (to EN ISO 228-1) and NPT threads
Socket-weld ends

Steam Trap Units for
 Universal Connectors
**BK 36 A/7, MK 36 A/71,
 MK 36 A/72, DK 36 A/7 –
 Class 300**
 Universal Connectors
UCY 36, UC 36 – Class 300

Capacity Chart

The capacity chart to the right shows the max. capacities of hot condensate for the different steam trap units referred to the differential pressure.

- ❶ BK 36 A/7 ❷ MK 36 A/72
- ❷ MK 36 A/71 ❸ DK 36 A/7

The steam traps discharge the indicated hot water capacities with virtually no banking up.

- ❹ MK 36 A/71 ❸ BK 36 A/7
- ❺ MK 36 A/72

Discharge capacity of cold condensate at 20 °C.

Order & Enquiry Specification

GESTRA Steam Trap Units for Universal Connectors
 Type: **BK 36 A/7, MK 36 A/71, MK 36 A/72, DK 36 A/7**
 Connection: Universal connectors (all makes)
 PMO: 33.7 bar / 488 psig
 TMA: 400 °C / 752 °F
 Pressure: CL 300
 Material: 1.4408 / A351-CF8M
 Test certificates: 2.2 / 3.1

GESTRA Universal Connector UCY 36, UC 36

Connection: Screwed sockets G, NPT, socket-weld ends
 Size: ½", ¾", 1"
 PMO: 33.7 bar / 488 psig
 TMA: 400 °C / 752 °F
 Material: 1.4408 / A351-CF8M
 Pressure: CL 300
 Fastener: 2 Hexagon head screws
 Test certificates: 2.2 / 3.1

Inspection & Certification

Documentation regarding material tests and in-house examination with test report EN10204 available. All inspection requirements have to be stated with the enquiry or order. After supply of the equipment certification cannot be established. Charges and extent of the above mentioned test certificates as well as the different tests confirmed therein are listed in our Price List „Test and Inspection Charges for Standard Equipment“. For other tests and inspections than those listed above, please consult us.

Application of European Directives

Pressure Equipment Directive (PED)

The equipment conforms to this directive and can be used for the following media:

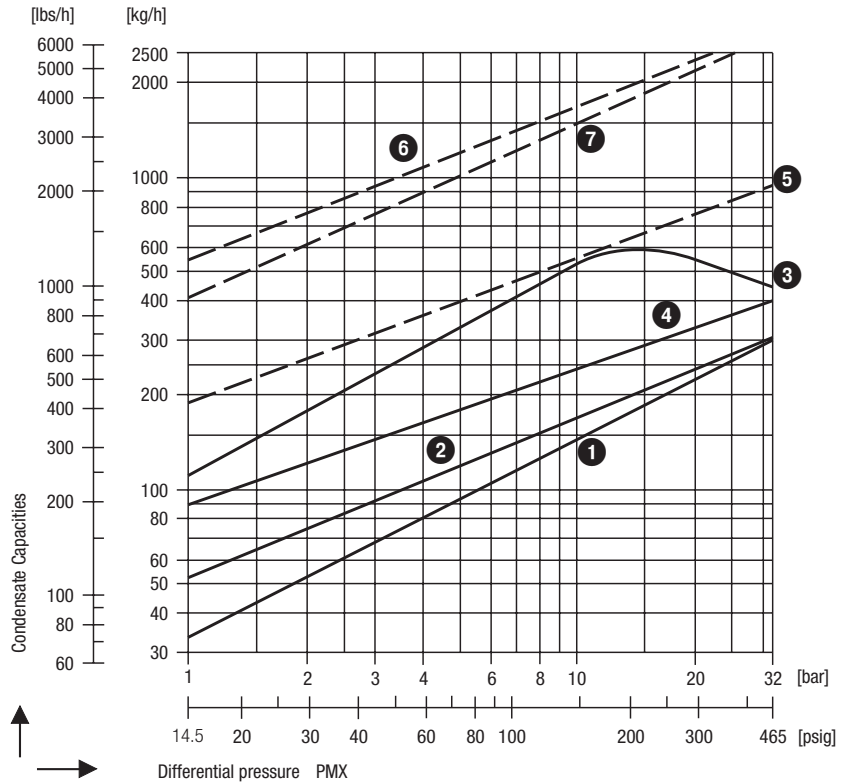
- Fluids of group 2

ATEX Directive

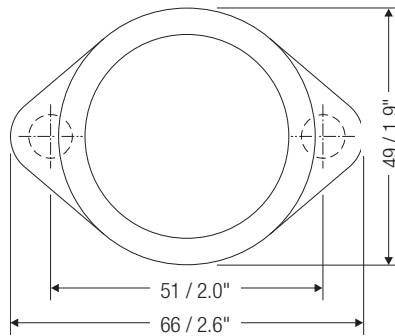
The equipment does not have its own potential ignition source and is not subject to this directive. Static electricity: When installed, static electricity may arise between the equipment and the connected system. When used in potentially explosive atmospheres, the plant manufacturer or plant operator is responsible for discharging or preventing possible static charge. If it is possible for medium to escape, e.g. through actuating mechanisms or leaks in threaded joints, the plant manufacturer or plant operator must take this into consideration when dividing the area into zones.

Supply in accordance with our general terms of business.

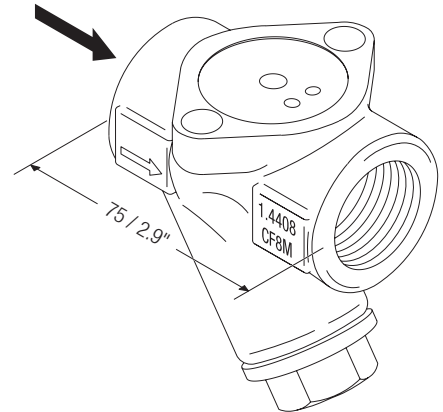
Capacity Chart



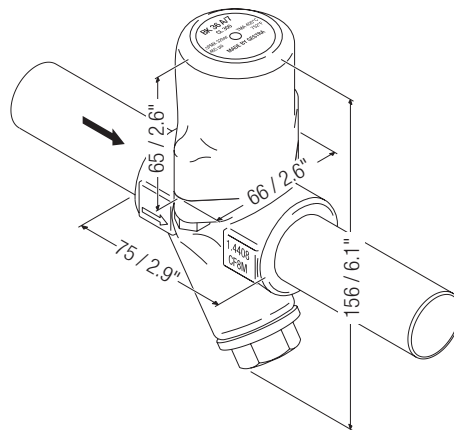
Dimensions



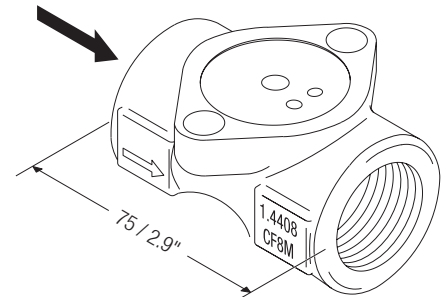
GESTRA Universal Connector



Universal connector UCY 36



BK 36 A/7, MK 36 A/71, MK 36 A/72, DK 36 A/7
 with universal connector UCY 36



Universal connector UC 36

GESTRA AG

Münchener Straße 77, 28215 Bremen, Germany
 Telefon +49 421 3503-0, Telefax +49 421 3503-393
 E-mail info@de.gestra.com, Web www.gestra.de

GESTRA