

Knife gate valve without gland packing

The knife gate valve „system DOMINO“ is preferably used in the field of water treatment and process engineering. The valve is the right solution for media containing mud and fibers.

The knife gate valve seals pressure tight in both flow directions.

The user can choose among a variety of executions and actuators.



DOMINO AT 100

Wafer type

Flange drilling acc. to DIN 2501
 DN 50 – DN 150: PN 10 / 16
 DN 200: PN 10



DOMINO AT 200

Lug type

Flange drilling acc. to DIN 2501
 DN 50 – DN 150: PN 10 / 16
 DN 200 – DN 1200: PN 10
 The valve can be used as dead end valve.



DOMINO AT 200 R

Control knife gate valve
 DN 50 – DN 600

The types

Executions

Body: Cast iron GG-25, EKB-coated (option GGG 40)
 Gate: 1.4301 (option 1.4571)
 Seal: NBR, EPDM, FPM, MVQ, PTFE
 Mounting parts: steel, EKB-coated or zinc coated
 Stem / piston: 1.4021 (option: 1.4571) rising or non rising

Operation

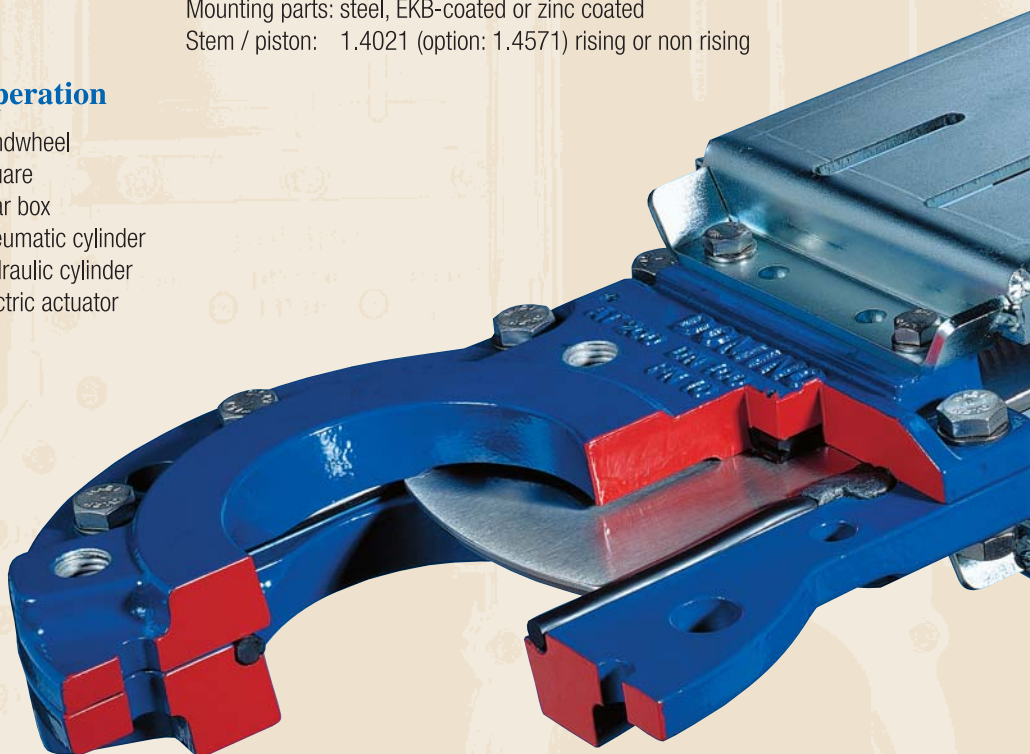
Handwheel
 Square
 Gear box
 Pneumatic cylinder
 Hydraulic cylinder
 Electric actuator

Special executions

Valve with regulation port
 Full bore
 Square valve

Accessories

Mechanical limit switches
 Proximity switches
 Solenoid valves
 Positioners
 Stem extensions and pillars

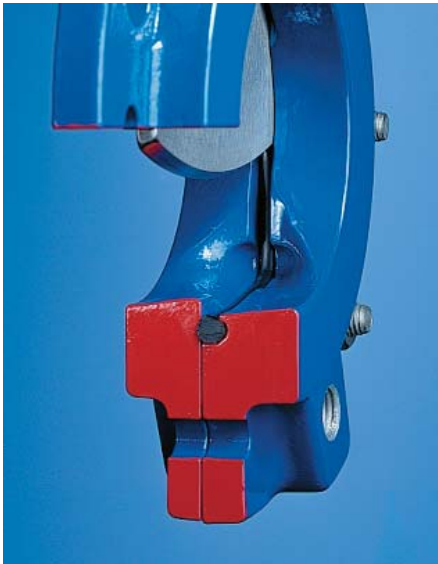


Subject to changes

The design of the „DOMINO“-knife gate valves fulfils the users' highest requirements:



The **maintenance-free COMPACT cross seal (double seal lip profile)** guarantees tight shutoff and can be adjusted without interrupting the working process.



The **self-cleaning effect** is achieved by **flush-out corners** in the body and the cutting edge underneath the gate.

Solids and fibres are cut by **the cutting edge** before tightening is done against the elastic seat.

The guidance of the gate is interrupted on stroke length, thus dirt can be ejected.



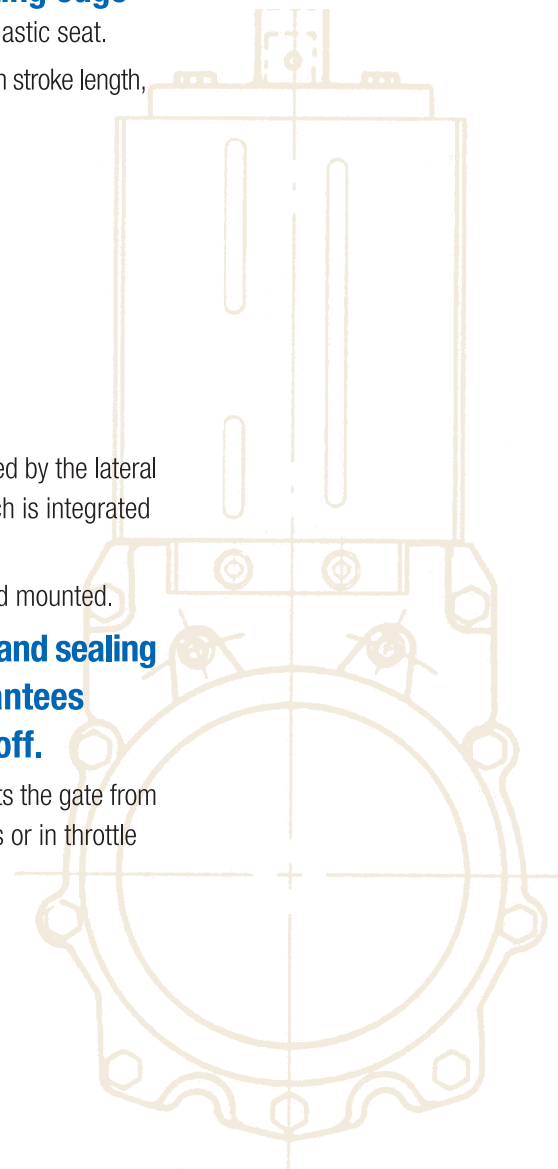
Bidirectional shutoff is achieved by the lateral gate surfaces and the elastic seat which is integrated in the body.

The seat is chambered and prestressed mounted.

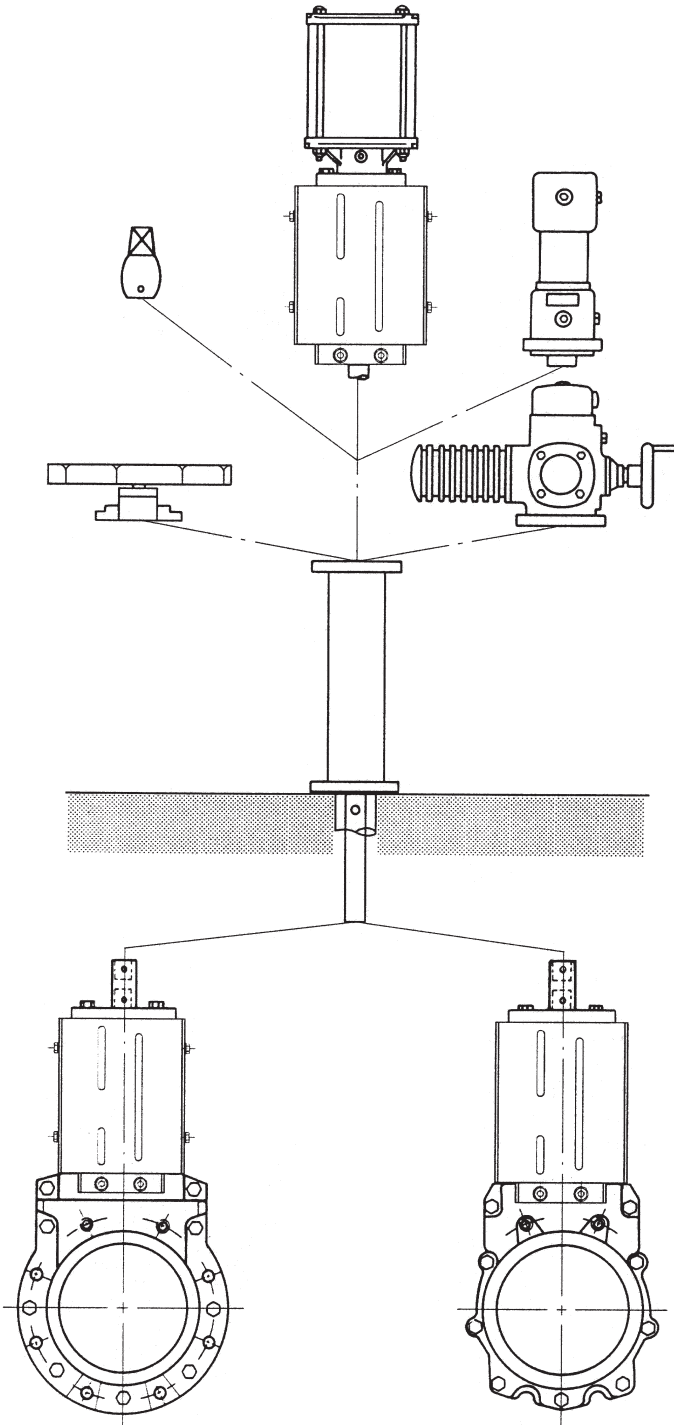
The high finish of the guide- and sealing surface at both sides guarantees long service and tight shutoff.

The lateral guidance of the gate prevents the gate from fluttering in either of the flow directions or in throttle positions.

Advantages



DOMINO knife gate valve with stem extension and pillar



Non-rising extension

