



Flanged ball valve PN 10/40, series FG

2-pce ball valve made of stainless steel

Optimized and economic solution for automation:
the interface being acc. to DIN 3337 allows the direct mounting of hand levers,
gear operators and actuators.

The high-quality ball valves comply with the industrial safety standards.

Flanged ball valve series FG



GEFA-Flanged ball valve – advantages for the user

- ❖ **Cost optimized automation**
due to the interface acc. to DIN 3337
- ❖ **Low pressure drop**
due to a full and smooth passage (piggable)
- ❖ **Compact design**
short length acc. to DIN 3202, F4 / EN 558 line 27
- ❖ **The high quality is a high safety factor**
The body is made of stainless steel (investment casting).
The external profile is precisely formed. The structure of the material has a high density. The middle flange's stable screwing absorbs forces caused by moving pipes.
Fire-safe approval and anti-static design are standard.
- ❖ **Approvals confirm the high quality of the ball valve.**
 - TA-Luft stem sealing based on the new VDI 2440 directives
Temperature range: tested up to 250 °C (temperature of the medium)
 - Fire-safe approval acc. to BS 6755, part 2
 - fulfils the requirements of the PED 97/23/EC
 - material certificate acc. to EN 10204
 - production approved by TÜV WO/TRB 100

Hand lever



Bare shaft



Hand lever



Pneumatic actuator with double sensor open/shut



Pneumatic actuator with limit switch box T10



Electric actuator

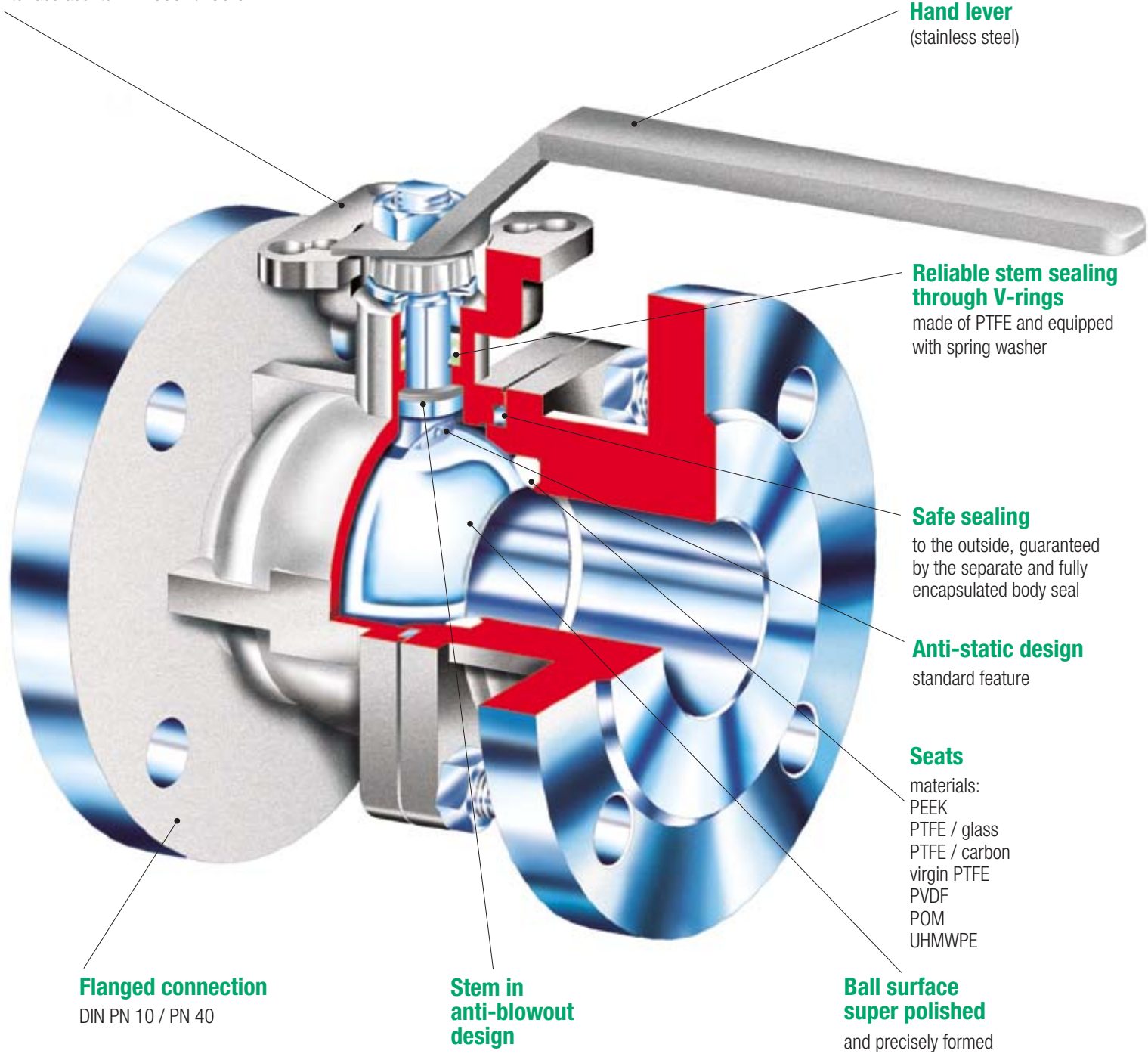


Flanged ball valve FG

DN 15 – DN 100, full bore

Direct mounting

interface acc. to DIN 3337 / ISO 5211



Quality control:
DIN 3230, T 3,
BA, BO 1

Technical data

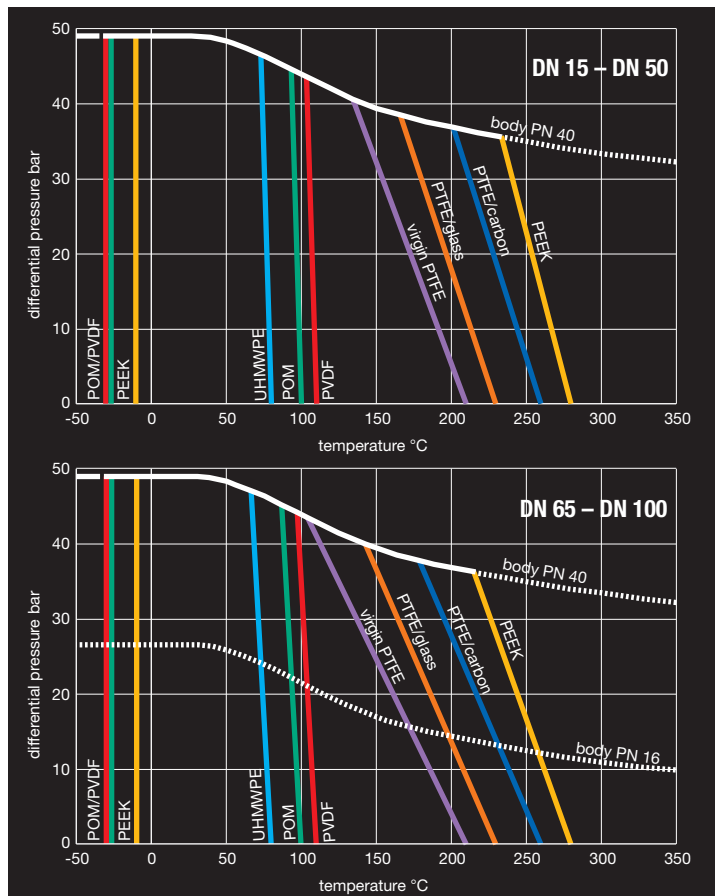
Breakaway torques refer to ball valves in depressurized condition. They may vary acc. to medium, temperature, pressure and frequency of operation.

Mating dimensions		breakaway torque Nm	Flow coefficient Kvs-value
DN	flange DIN 3337	full bore	full bore
15	F03/F04	10	20
20	F03/F04	10	40
25	F04/F05	15	75
32	F04/F05	25	130
40	F05/F07	35	170
50	F05/F07	50	270
65	F07/F10	70	550
80	F07/F10	100	1000
100	F07/F10	125	1650

Based on medium water at ambient temperature, seat material PTFE/glass

Pressure-/temperature diagram

- Seat**
- PEEK
 - PTFE/carbon
 - PTFE/glass
 - virgin PTFE
 - PVDF
 - POM
 - UHMWPE
 - intersection



Germany

Germaniastraße 28
D-44379 Dortmund

P.O. Box 70 01 10
D-44371 Dortmund

Phone 0049-2 31-610 09-0
Fax 0049-2 31-610 09 80

www.gefa.com
gefa@gefa.com