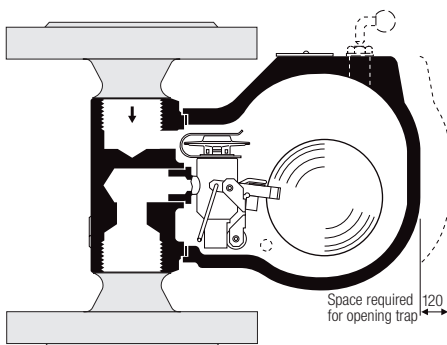
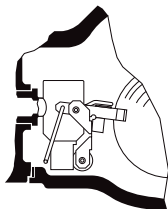


UNA 14h / UNA 16h (horizontal)
Duplex design



UNA 14v / UNA 16v (vertical)
Duplex design



UNA 14 / UNA 16 Simplex design

Ball Float Trap UNA 14, PN 25, UNA 16 Carbon Steel, PN 40, UNA 16A Stainless Steel, PN 40 DN 15, 20, 25

Description

UNA 14, UNA 16, UNA 16A are ball float steam traps with rolling ball valve. The steam traps can be used for all operating conditions, as they are unaffected by back pressure. They consist of a body with bolted cover and a control unit. The control unit is freely accessible after removing the cover. It can be completely replaced without having to remove the valve body from the line. A conversion of "h" design to "v" design or vice versa is possible without any problem by repositioning body and control unit. The direction of flow is indicated by an arrow, the position of installation by the word "Top" on the name plate.

- suitable for large condensate flowrates
 - "h"-design for horizontal lines
 - "v"-design for vertical lines
- (To convert "h" to "v" design or vice versa turn cover and control unit respectively)

UNA 14, UNA 16, UNA 16A

The following three different types of control units are available: Control unit "SIMPLEX": level-dependent float control particularly suitable for cold condensate. Control unit "SIMPLEX R": level-dependent float control with internal vent pipe for continuous air-venting. Control unit "DUPLEX": float control with temperature-dependent automatic air-venting of saturated steam systems.

Pressure / Temperature Rating (DIN 1092-1) UNA 14 S.G. (ductile) iron (3 E0), PN 25					
Max. allowable pressure PMA	[bar]	25	19.4	17.8	15
Max. allowable temperature TMA	[°C]	-10 / 20	200	250	350
Maximum differential pressure Δ PMX (inlet pressure minus outlet pressure)	[bar]	13*) (4)			

Pressure / Temperature Rating (DIN 1092-1) UNA 16 carbon steel (3 E0), PN 40					
Max. allowable pressure PMA	[bar]	40	30.2	25.8	23.1
Max. allowable temperature TMA	[°C]	-10 / 20	200	300	400
Maximum differential pressure Δ PMX (inlet pressure minus outlet pressure)	[bar]	22*) (13 or 4)			

Pressure / Temperature Rating UNA 16 carbon steel, CLASS 150					
Max. allowable pressure PMA	[bar]	17.3	13.8	10.2	6.5
Max. allowable temperature TMA	[°C]	-29 / 20	200	300	400
Maximum differential pressure Δ PMX (inlet pressure minus outlet pressure)	[bar]	13*) (4)			

Pressure / Temperature Rating (DIN 1092-1) UNA 16A stainless steel (13 E0), PN 40					
Max. allowable pressure PMA	[bar]	40	35.6	29.3	25.8
Max. allowable temperature TMA	[°C]	-10 / 20	100	200	300
Maximum differential pressure Δ PMX (inlet pressure minus outlet pressure)	[bar]	22*) (13 or 4)			

Pressure / Temperature Rating UNA 16A (stainless steel), CLASS 150					
Max. allowable pressure PMA	[bar]	19.3	17.0	14.0	10.2
Max. allowable temperature TMA	[°C]	-29 / 20	100	200	300
Maximum differential pressure Δ PMX (inlet pressure minus outlet pressure)	[bar]	22*) (13 or 4)			

Pressure/temperature ratings according to type of connection!

*) Depending on orifice (O)

Material of Construction	EN number	ASTM
Body UNA 14, UNA 16	1.0460 (P250GH)	A105
Body UNA 16A (stainless steel)	1.4404 (X2CrNiMo17-12-2)	A182-F316L
Cover UNA 14	5.3103 (EN-GJS-400-18-LT)	A536 60-40-18 ¹⁾
Cover UNA 16	1.0619 (GP240GH)	A216-WCB
Cover UNA 16A (stainless steel)	1.4408 (GX5CrNiMo19-11-2)	A351-CF8M
Screws UNA 14, UNA 16	1.7225 (42CrMo4)	A193-B7
Screws UNA 16A (stainless steel)	1.4980 (X6NiCrTiMoVB25-15-2)	–
Float	1.4571 (X6CrNiMoTi17-12-2)	AISI 316Ti ¹⁾
Orifice	1.4305 (X8CrNiS18-9)	AISI 303 ¹⁾
Rolling ball	1.4301 (X5CrNi18-10)	A182-F304 ¹⁾
Gasket (3)	Gaphite-CrNi	
Thermostatic capsule 5N2	Hastelloy / stainless steel	
Other parts of the control unit, gasket (17)	Stainless steel	

¹⁾ Physical and chemical properties comply with EN grade. ASTM nearest equivalent grade is stated for guidance only.

Design

Body with bolted cover. The control unit is freely accessible after removing the cover. The control unit can be replaced without having to remove the body from the line.

“h”-type for installation in horizontal pipework, flow from left to right (seen from the cover side). Conversion to obtain flow from right to left possible.

“v”-type for installation in vertical pipework with downward flow.

The traps can be supplied with different control units:

- **Duplex:** Float control with temperature-dependent automatic air-venting; GESTRA thermostatic capsule “5N2”.
- **Simplex:** Float control specially suited for the discharge of cold condensates and distillates.

- **Simplex-R:** Float control with internal vent pipe for continuous air-venting.

Optional extra:

- Purging device (float lifting lever).
- Vent hole $\frac{3}{8}$ " BSP for connecting an air-balance pipe.
- Hand-vent valve $\frac{3}{8}$ " BSP.

Connections

UNA 14

- Flanges: DIN, PN 25
- Screwed sockets: BSP and NPT threads

UNA 16, 16A

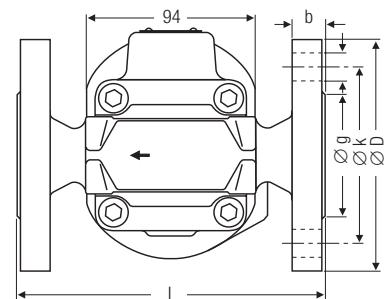
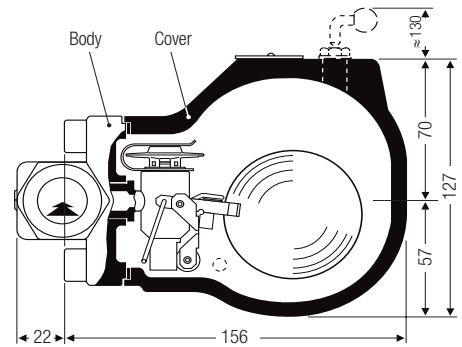
- Flanges: DIN, PN 40 and ASME Class 150
- Screwed sockets: BSP and NPT threads
- Socket-weld ends
- Butt-weld ends

Dimensions

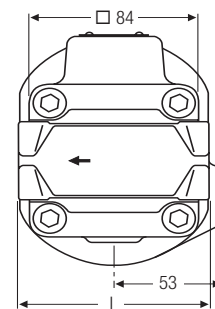
Nominal sizes DN	[mm]	15	20	25	
	[inch]	$\frac{1}{2}$	$\frac{3}{4}$	1	
UNA 14 h/v overall length	L ¹⁾	95	95	95	
		Screwed BSP/NPT	150	150	160
UNA 16 h/v overall length	L ¹⁾	95	95	95	
		Screwed sockets	150	150	160
		Flanged DIN EN 1092-1	150	150	160
		Flanged ASME	95	95	95
		Socket-weld ends	200	200	200
Butt-weld ends					
Flange dimensions DIN EN 1092-1	D	95	105	115	
	b	16	18	18	
	k	65	75	85	
	g	45	58	68	
	l	14	14	14	
Number of holes		4	4	4	
Weight					
Flange	[kg]	6.0	6.5	7.0	
Screwed sockets, socket-weld ends, butt-weld ends	[kg]	4.5	4.5	4.5	

¹⁾ Overall length of flanged traps according to DIN EN 26554 (ISO 6554) series 1

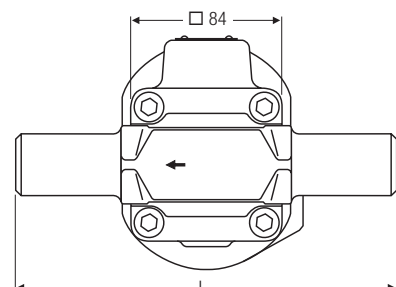
UNA 14h / UNA 16h



UNA 14h / UNA 16h, flanged design

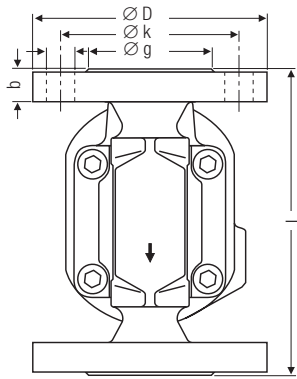
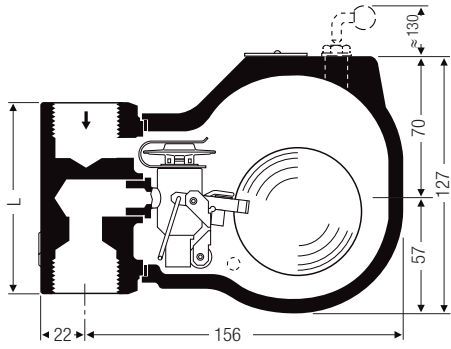


UNA 14h, with screw sockets
UNA 16h, with screw sockets and socket-weld ends

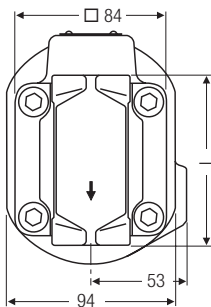


UNA 16h, with butt-weld ends

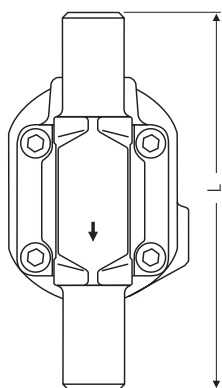
UNA 14v / UNA 16v



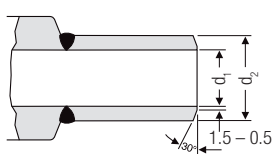
UNA 14h / UNA 16v, flanged design



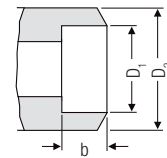
UNA 14v, with screwed sockets
UNA 16v, with screwed sockets and
socket-weld ends



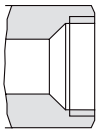
UNA 16v, with butt-weld ends



Butt-weld ends
(UNA 16)



Socket-weld ends
(UNA 16)



Screwed sockets
(UNA 14, UNA 16)

Dimensions	DN	15			20			25		
		D_1	D_2	b	D_1	D_2	b	D_1	D_2	b
Socket-weld ends	[mm]	22	32	10	27	38	13	34	44	13
Butt-weld ends	[mm]	d_1	d_2		d_1	d_2		d_1	d_2	
for connecting tube	[mm]	21.3 x 2.0			26.9 x 2.3			33.7 x 2.6		

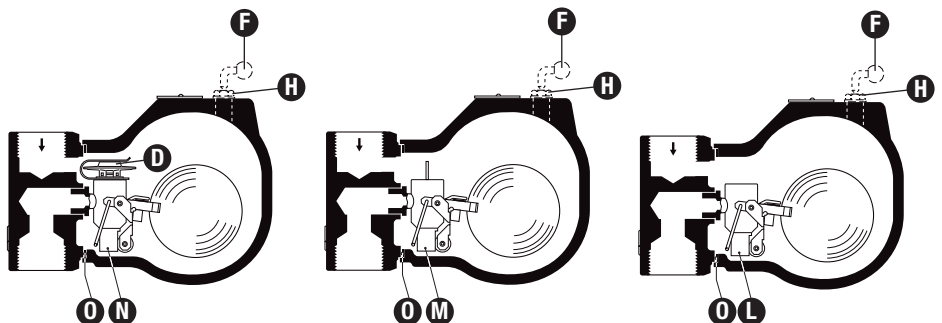
Spare Parts

Item	Designation	Stock code		
		UNA 14	UNA 16 UNA 16A S.S.	
H	Gasket ²⁾ A17 x 23	560486	560486 560514	
O	Cover gasket ¹⁾ (graphite/CrNi) 67x77x1	560493	560493	
D O	Thermostatic capsule 5N2, cover gasket	560494	560494	
N O	Control unit Duplex, complete	Orifice 4	560410	560410
		Orifice 13	560409	560409
		Orifice 22		560408
M O	Control unit Simplex R, complete	Orifice 4	560413	560413
		Orifice 13	560412	560412
		Orifice 22		560411
L O	Control unit Simplex, complete	Orifice 4	560416	560416
		Orifice 13	560415	560415
		Orifice 22		560414
F H	Hand-vent valve ³⁾	560676	560676	
J H	Float lifting lever ³⁾	560434	560434 on request	

¹⁾ Packaged 20 pcs. per box. For smaller quantities please contact your local dealer.

²⁾ Packaged 20 pcs. per box. For smaller quantities please contact your local dealer.

³⁾ The standard cover does not feature any bores, hence it cannot be retrofitted at a later date.



Ball Float Trap UNA 14, PN 25
UNA 16 Carbon Steel, PN 40
UNA 16A Stainless Steel, PN 40
DN 15, 20, 25

Capacity Chart

The chart shows the maximum capacity of hot condensate for float-controlled orifices (O). The cold water capacities are: Capacity multiplied by factor F.

The capacities are dependent on the differential pressure (working pressure). The differential pressure is the difference between inlet and outlet pressures and depends among other things on the run of the condensate line. If the condensate downstream of the trap is lifted, the differential pressure (working pressure) is reduced by approximately 1 bar for 7 m (or 2 psi for 3 feet) lift.

The maximum admissible differential pressure is dependent on the cross-sectional flow area of the orifice and the density of the liquid.

The standard designs of the traps for condensate from steam are available for the following maximum differential pressures: UNA 14: up to 4 or 13 bar.

UNA 16, 16A up to 4, 13 or 22 bar.

Orifice (AO)	Ø of hole [mm]
AO 4	4.8
AO 13	3.3
AO 22	2.8

Inspection & Certification

Documentation regarding material tests and in-house examination with test report EN10204 available. All inspection requirements have to be stated with the enquiry or order. After supply of the equipment certification cannot be established. Charges and extent of the above mentioned test certificates as well as the different tests confirmed therein are listed in our Price List „Test and Inspection Charges for Standard Equipment“. For other tests and inspections than those listed above, please consult us.

Application of European Directives

Pressure Equipment Directive

The equipment conforms to this directive and can be used for the following media:

UNA 14, UNA 14P

■ Fluids of group 2

UNA 16 and UNA 16A (stainless steel)

■ Fluids of group 1

■ Fluids of group 2

ATEX-Richtlinie

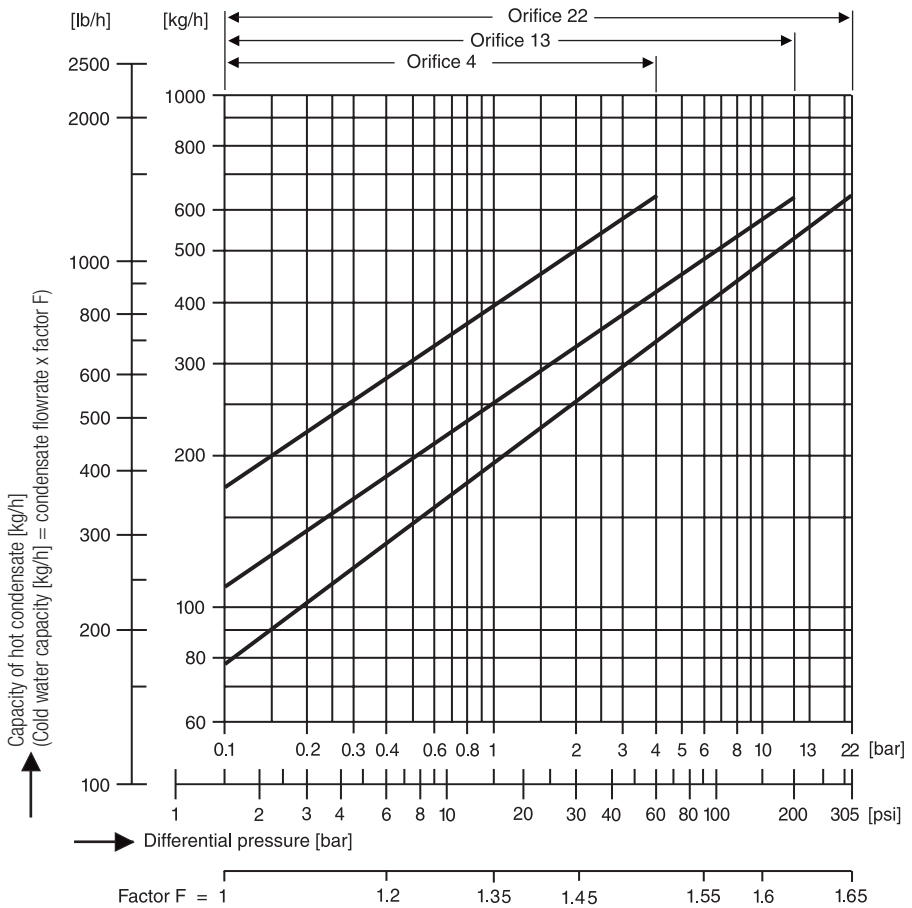
The equipment does not have its own potential ignition source and is not subject to this directive.

When installed, static electricity may arise between the equipment and the connected system. When used in potentially explosive atmospheres, the plant manufacturer or plant operator is responsible for discharging or preventing possible static charge.

If it is possible for medium to escape, e.g. through actuating mechanisms or leaks in threaded joints, the plant manufacturer or plant operator must take this into consideration when dividing the area into zones.

Supply in accordance with our general terms of business.

Capacity Chart



Additional cold-water start-up capacity due to thermostatic capsule (Duplex design)

Δp [bar]	1	2	3	4	6	8	10	13	18	22
Approx. capacity [kg/h]	180	230	330	410	480	540	600	680	760	840

GESTRA AG

Münchener Straße 77, 28215 Bremen, Germany
 Telefon +49 421 3503-0, Telefax +49 421 3503-393
 E-mail info@de.gestra.com, Web www.gestra.de

