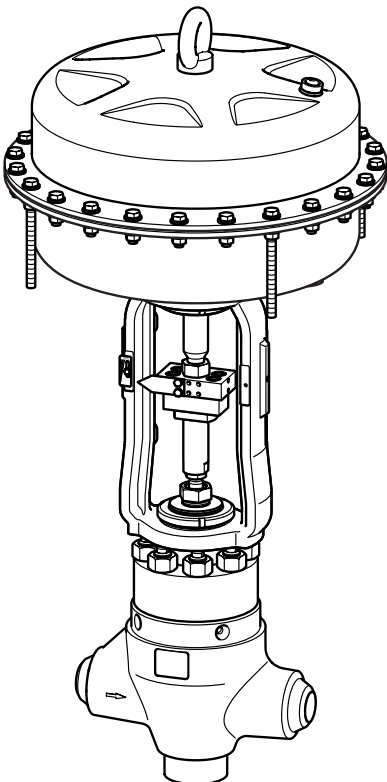


ZK 313-E/11 1" – 3"



ZK 313-D/20 1" – 3"

## Control Valve with ZK Radial Stage Nozzle® and Tandem Shut-Off ZK 313 ASME CLASS 2500 1" – 6"

### Description

Control valve ZK 313 with ZK radial stage nozzle® designed for reducing high differential pressures in industrial installations and power plants and used as:

- Injection-cooling valve
- Continuous blowdown valve
- Warm-up valve
- Feedwater control valve
- Drain valve
- Leak-off valve
- Steam control valve

All internals are exchangeable. Leakage rating Class VI acc. to ANSI FCI 70-2-2003.

For equipment in sizes 1" – 3" two body types are available: straight-through and angle pattern. The body of equipment sizes 4" – 6" is hammer forged and of the angle or Z-type.

A sampling valve is available as optional extra on request.

### Actuator and operation

The following actuators are available:

- 02: Handwheel (standard), retrofitting of an electric rotary actuator possible
- 11: Electric rotary actuator B1-F10 EN ISO 5210
- 12: Electric rotary actuator B1-F14 EN ISO 5210
- 13: Electric linear actuator
- 20: Pneumatically operated diaphragm actuator or piston actuator
- 31: Lever actuator equipped with quarter-turn actuator
- 40: Hydraulic cylinder

### Pressure & temperature ratings

#### Admissible service pressure [barg] for body made from ASME materials

(calculated to ASME B16.34-Class 2500)

Temperature [°C]	Standard Class 1" – 6"			Limited Class 1" – 2 ½"		
	A105	F22	F91	A105	F22	F91
100	388	429	429	430	430	430
200	365	405	405	421	418	430
300	331	357	357	421	414	430
400	289	304	304	361	406	418
450	–	281	281	–	393	393
500	–	235	235	–	308	308
550	–	130	208	–	182	270
570	–	96	201	–	134	267
595	–	63	169	–	88	235
610	–	–	146	–	–	204
630	–	–	113	–	–	159

#### Admissible service pressure [psig] for body made from ASME materials

(calculated to ASME B16.34-Class 2500)

Temperature [°F]	Standard Class 1" – 6"			Limited Class 1" – 2 ½"		
	A105	F22	F91	A105	F22	F91
212	5632	6228	6228	6250	6250	6250
392	5294	5879	5879	6112	6069	6250
572	4812	5179	5179	6108	6016	6250
752	4196	4422	4422	5246	5892	6067
842	–	4087	4087	–	5701	5701
932	–	3408	3408	–	4474	4474
1022	–	1889	3017	–	2644	3926
1058	–	1395	2923	–	1953	3881
1103	–	919	2464	–	1287	3412
1130	–	–	2119	–	–	2967
1166	–	–	1645	–	–	2311

#### Admissible differential pressure Δ PMX:

	[barg]	[psi]
Single stage	40	580
Three stages	300	4,350
Three stages with additional nozzle	370	5,365

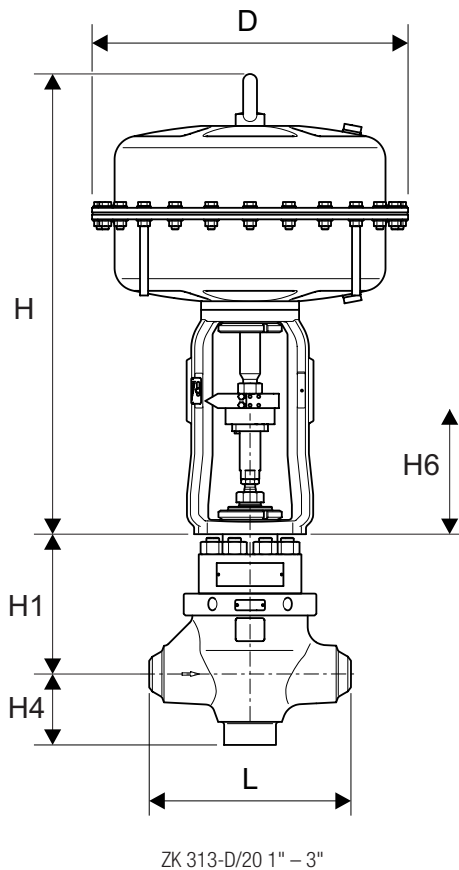
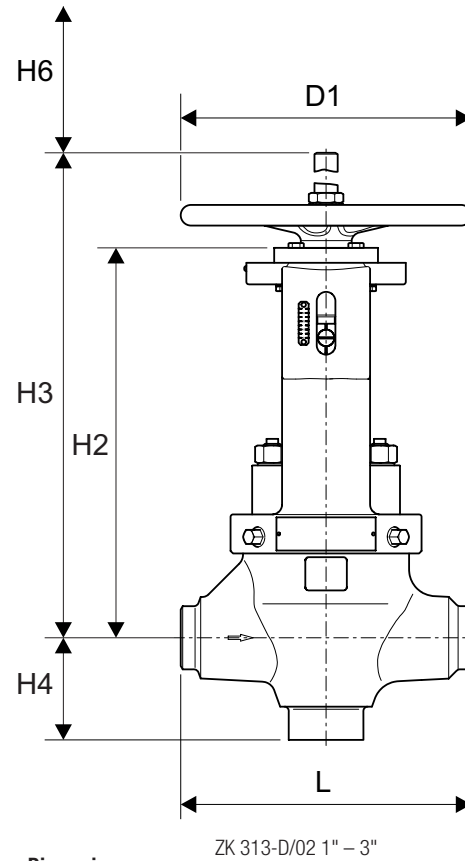
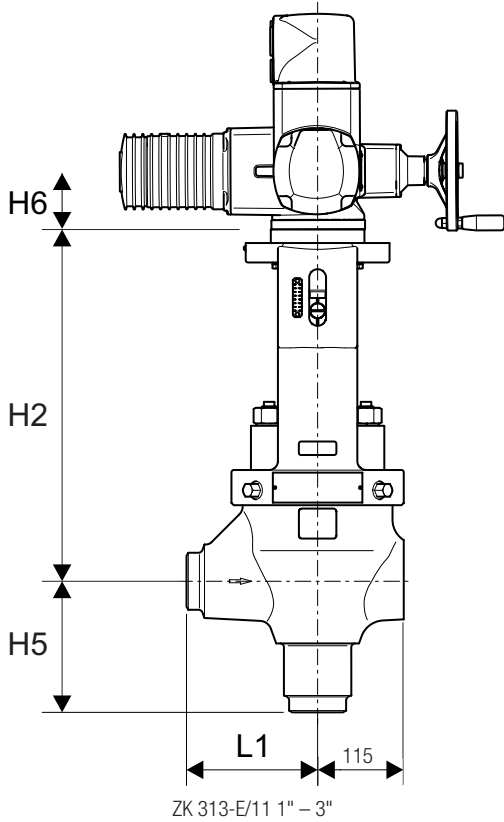
### Materials

Component part	ASME
Body	A105
	A182 F22
	A182 F91
Upper part of body	A105
	A182 F91
Threaded bolt	A193 B16
Nuts	A194-7

### Types of end connections

- Butt-weld ends
- Socket-weld ends
- Optional flange

## Dimensions and weights



### Dimensions

Valve size		1" – 3"	4" – 6"
H1	[mm]	243	243
	[in]	9.6	9.6
H2 max.	[mm]	484	484
	[in]	19.1	19.1
H3 (design/02)	[mm]	585	585
	[in]	23.0	23.0
H4	[mm]	123	–
	[in]	4.8	–
H5	[mm]	175	260
	[in]	6.9	10.2
H6 (space required for servicing)	[mm]	120	120
	[in]	4.7	4.7
H6 (space required for servicing, design/02)	[mm]	290	290
	[in]	11.4	11.4
L	[mm]	350	–
	[in]	13.8	–
L1	[mm]	175	260
	[in]	6.9	10.2
D1	[mm]	315	315
	[in]	12.4	12.4

Other dimensions available on request.

### Weight, without actuator

Type	1" – 3"		4" – 6"	
	[kg]	[lb]	[kg]	[lb]
ZK313/02	100	220	–	–
ZK313/11	90	198	–	–
ZK313/12	90	198	–	–
ZK313/20	70	154	–	–
ZK313-E0, ZK313-Z0	–	–	on request	on request

### Dimensions and weights of pneumatic diaphragm actuator

Dimensions	PB 700		PB 1502		PB 3002	
	[mm]	[in]	[mm]	[in]	[mm]	[in]
D	405	15.9	548	21.5	548	21.6
H	600	23.6	800	31.5	1,140	44.9
Weight	[kg]	[lb]	[kg]	[lb]	[kg]	[lb]
	40	88	124	273	240	528

## Flow characteristics

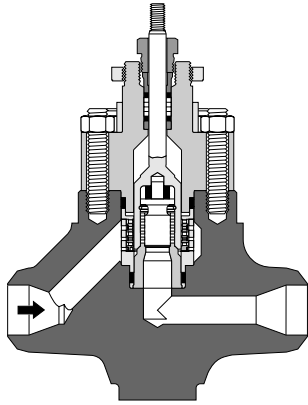
### Kvs values

	K <sub>v</sub> s											Lift
	[m <sup>3</sup> /h]											
	equal percentage / linear									linear		
	Δp 300 bar			Δp 370 bar			Δp 40 bar					
1" – 3"	1	1.5	2.3	3.6	5.5	8	11	13	4.5	9.5	30	35
4" – 6"	–	–	2.3	3.6	5.5	11	14.5	17	4.5	9.5	46	35

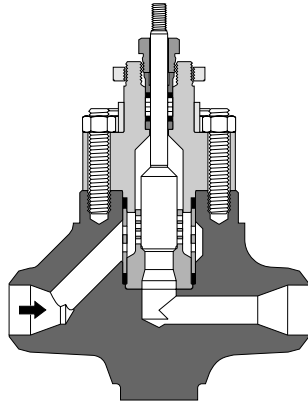
### Cv values

	C <sub>v</sub>											Lift
	[US gal/min]											
	equal percentage / linear									linear		
	Δp 4350 psi			Δp 5365 psi			Δp 580 psi					
1" – 3"	1.2	1.7	2.7	4.2	6.4	9.2	12.7	15	5.2	11	34.7	1.4
4" – 6"	–	–	2.7	4.2	6.4	12.7	16.8	19.7	5.2	11	53	1.4

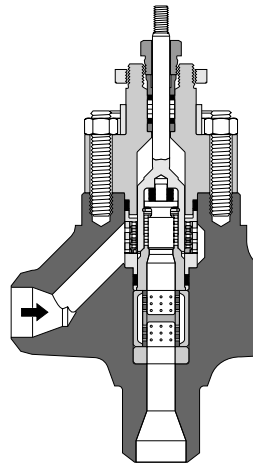
### ZK Radial stage nozzle



Standard nozzle  
Δpmax 300 bar/4350 psi

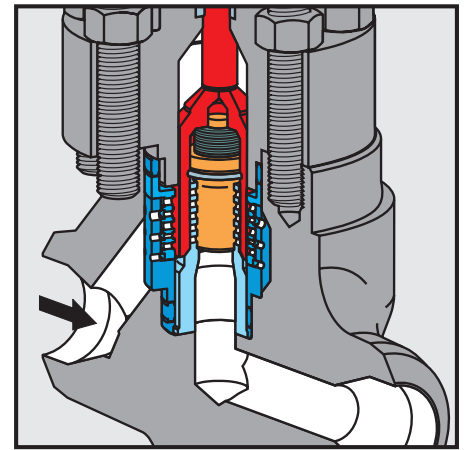


Special nozzle without tandem seat  
Δpmax 40 bar/580 psi

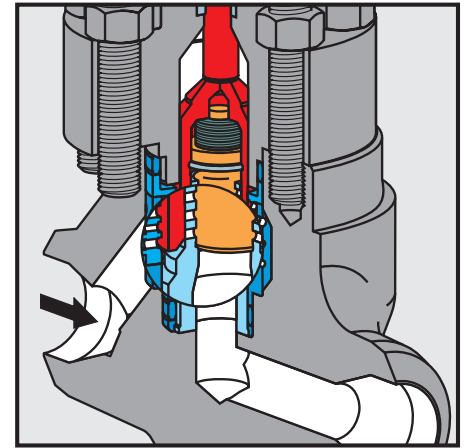


Special nozzle  
Δpmax 370 bar/5365 psi

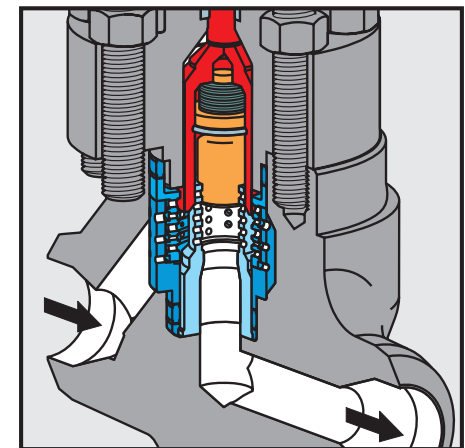
### ZK Radial stage nozzle® with tandem seat



Valve plug in closed position



Valve no longer in closed position,  
but inner valve cone still closed



Valve plug in control position

### Function

The ZK radial stage nozzle guarantees maximum wear resistance and ultra tight shut-off, combining the function of a control valve with a shut-off valve.

Each control valve is equipped with a ZK radial stage nozzle. This system consists of several sleeves nesting within one another, containing radial orifices drilled in them. By rotation of the sleeves, the orifices are shifted relative to one another, thus forming a large number of throttling points in parallel, with turbulence chambers (expansion chambers) in between.

The valve plug determines the flowrate through the ZK radial stage nozzle. Depending on its position, this valve plug opens up the individual orifices partially or completely, thus producing different flowrates.

As a result of this design, the pressure drop is reduced in steps and the medium flowing through is split up into many partial flows. This ensures high resistance to wear and reduces the noise level.

In addition the ZK 313 is provided with a dual shut-off system (tandem seat).

### Function of the tandem seat

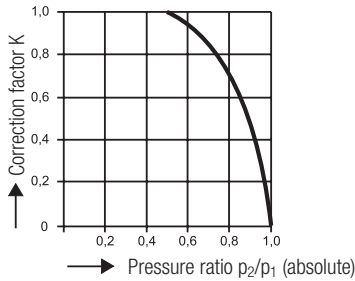
At the beginning of the opening process the valve plug first lifts off the main seat. The valve cone follows only after a certain lift of the valve plug. As a result, the flow velocities across the sealing surface are almost zero during the opening and closing process and, consequently, wire drawing is eliminated.

Control Valve with ZK Radial Stage  
Nozzle® and Tandem Shut-Off  
**ZK 313 ASME**  
**CLASS 2500 1" – 6"**

**Capacity Charts**

The charts show the max. flowrates of cold and hot (condensed) water at the extreme regulation position with linear characteristic curves and maximum  $K_v$  value.

**Backpressure chart for hot water**



	$K_v$ s value	$C_v$ value
1	1	1.2
2	1.5	1.7
3	2.3	2.7
4	3.6	4.2
5	5.5	6.4
6	8	9.4
7	11	12.7
8	13	15
9	30	35.1

**Specification Text**

GESTRA Control Valve with Radial Stage Nozzle® ZK 313.  
Design data:  $p = \dots$  barg / psig,  $t = \dots$  °C / °F or Class  
Operation: Load conditions (1 to 3)

	1	2	3
$P_1$ [bara]/[psia]			
$t_1$ [°C]/[°F]			
$P_2$ [bara]/[psia]			
M [kg/h]/[lb/h]			

Please enter data.

Fluid:  
Actuation: Electric ..... (make)  
ON / OFF or MODULATING CONTROL  
Voltage/Hz  
Actuation: Pneumatic ..... (make)  
Spring to open:  
Spring to close:  
Handwheel: yes/no  
Positioner: yes/no

**Inspection & Certification**

Documentation regarding material tests and in-house examination with inspection certificate to EN 10204-3.1 or EN 10204-3.2 available at extra cost.

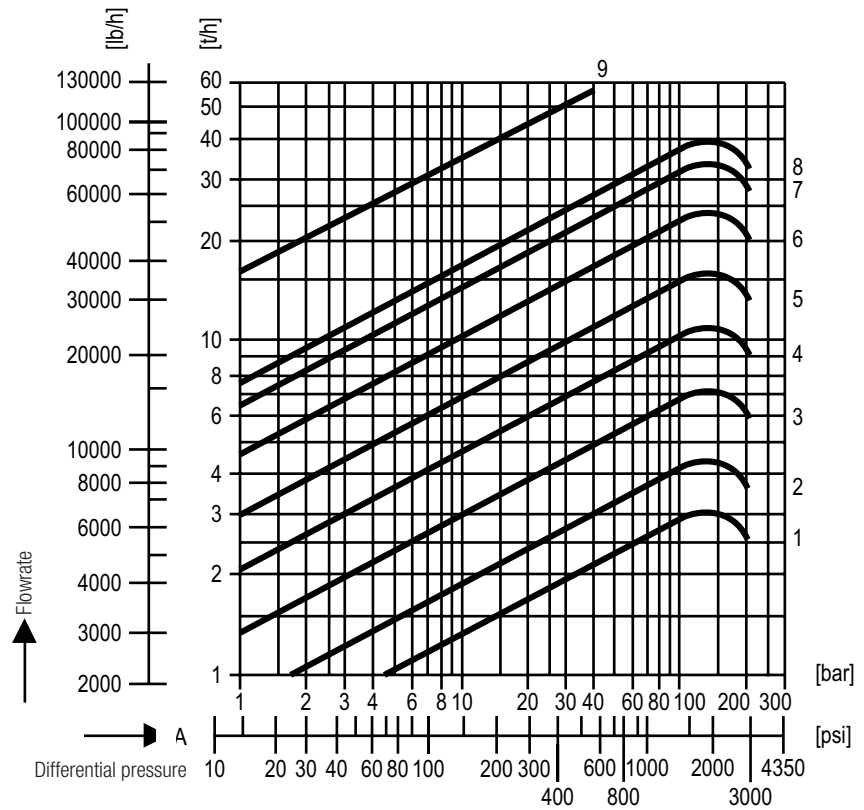
Please state the inspection and certification requirements when inquiring or ordering. After supply of the equipment certification cannot be established.

Charges and extent of the above mentioned certificates as well as the different tests confirmed therein are listed in our price list "Test and Inspection Charges for Standard Equipment".

For other test certificates please consult us.

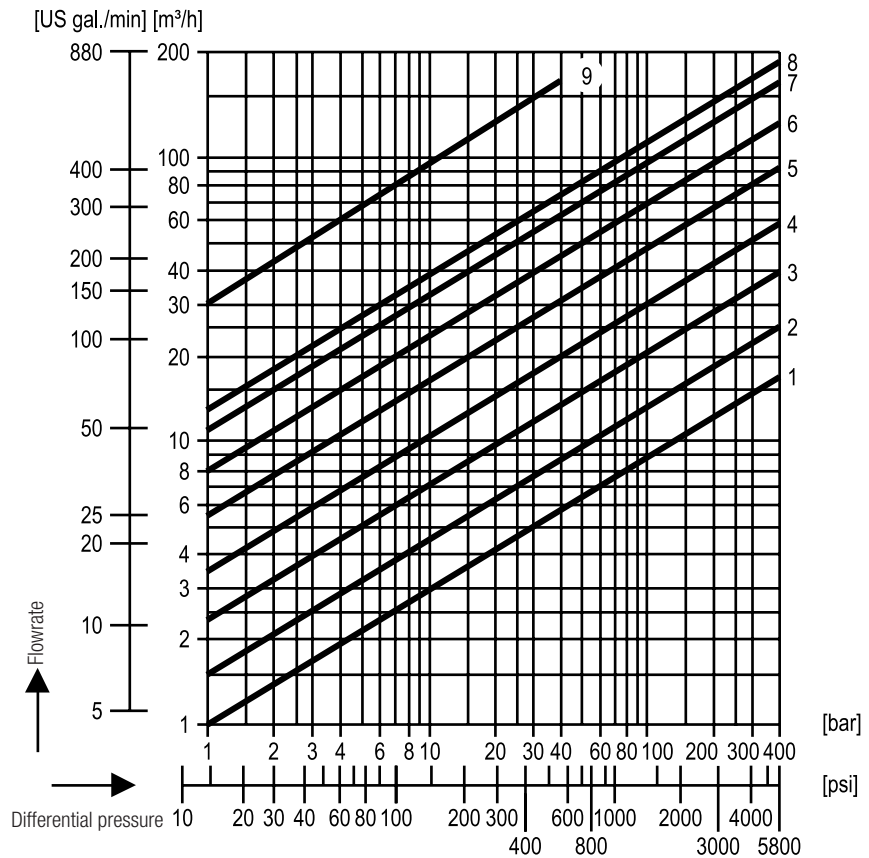
Supply in accordance with our general terms of business.

**Capacity chart, hot water  $t_s - 5K$**



If  $p_2/p_1 > 0.5$  multiply the capacity value by the correction factor K taken from the backpressure chart.

**Capacity chart for cold water**



**GESTRA AG**

Münchener Straße 77, 28215 Bremen, Germany  
Telefon +49 421 3503-0, Telefax +49 421 3503-393  
E-mail info@de.gestra.com, Web www.gestra.de

**GESTRA**